

18W
LED FLOOD LIGHT
ELECTRICAL/SOLAR VERSION

LL-FL-71
18W

PRODUCT IDENTIFICATION

Product	IL-LFL18W
Functional characteristics	18 Watts Led Flood Light Main Applications: tunnel illumination, pedestrian crosswalk, building walls, industrial buildings, outdoor publicity, etc...

CHARACTERISTICS

Advantages	<p>Sernis exclusive design to get maximum energy efficiency and life time;</p> <p>Low cost for installation and maintenance;</p> <p>IP66 housing;</p> <p>High performance OSRAM (Oslon Square) 1W leds;</p> <p>Solar or electrical applications;</p> <p>Smart controller to manage solar power supply system increasing the led light and battery performance (optional):</p> <ul style="list-style-type: none">- Mode 1: intelligent system as a function of accumulated charge during the day.- Mode 2: works at maximum brightness for number of hours set by the user and the remaining hours of operation with reduced brightness set by the user.- Mode 3: works at maximum brightness for the number of hours defined by the user. <p>Light dimming (optional);</p> <p>Radio frequency communication (optional);</p> <p>Constant current source power supply for extended life time;</p> <p>Led's operating life time until 100000 hours;</p> <p>Over voltage, over current, over temperature and short circuit protection;</p> <p>High optical performance with dedicated optical device to get maximum output intensity;</p> <p>Aluminum housing to get best performance as heat sink;</p>
-------------------	---

SOLAR CHARACTERISTICS

Solar Power Supply	12V DC Battery Solar Panel Charge Regulator
Total Power Consumption	24W

ELECTRICAL CHARACTERISTICS

Electrical Power Supply	90 – 305 V 47 – 63 Hz High efficiency (up to 90%) Active power factor correction (typical 0.96) Constant output current Waterproof (IP67) Dimming control All-round protection: OVP, SCP, OLP Compliance with safety standards: EN61347-1, EN61347-2-13, UL8750 Compliance with emission standards: EN55015, EN61000-3-2 C Class (60% load) ; EN61000-3-3 Compliance with standards for immunity: EN61000-4-2,3,4,5,6,8,11; EN61547, EN55024
Total power consumption	31W

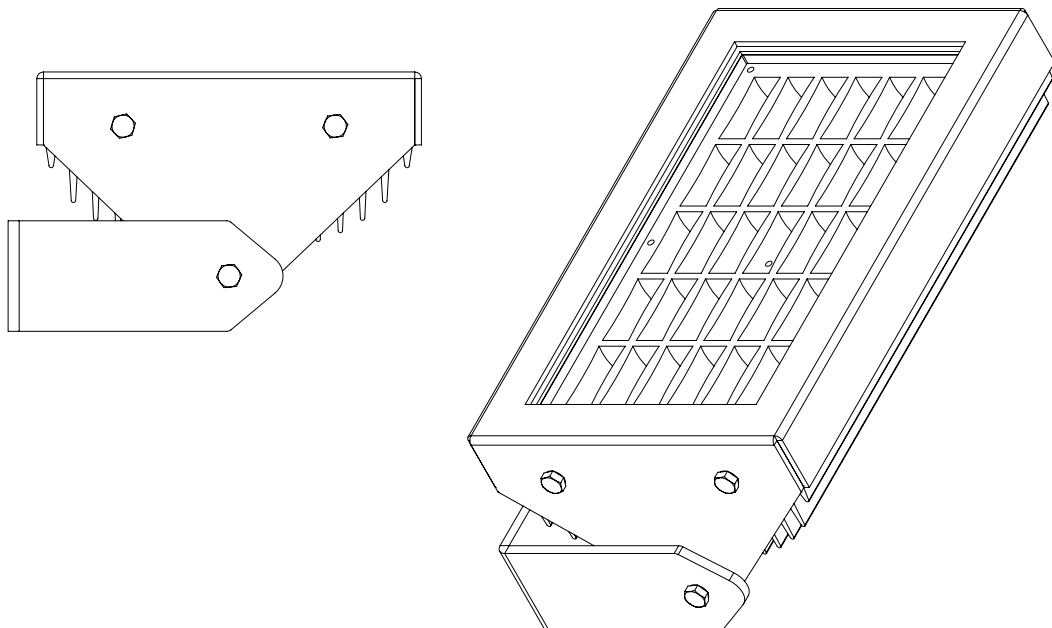
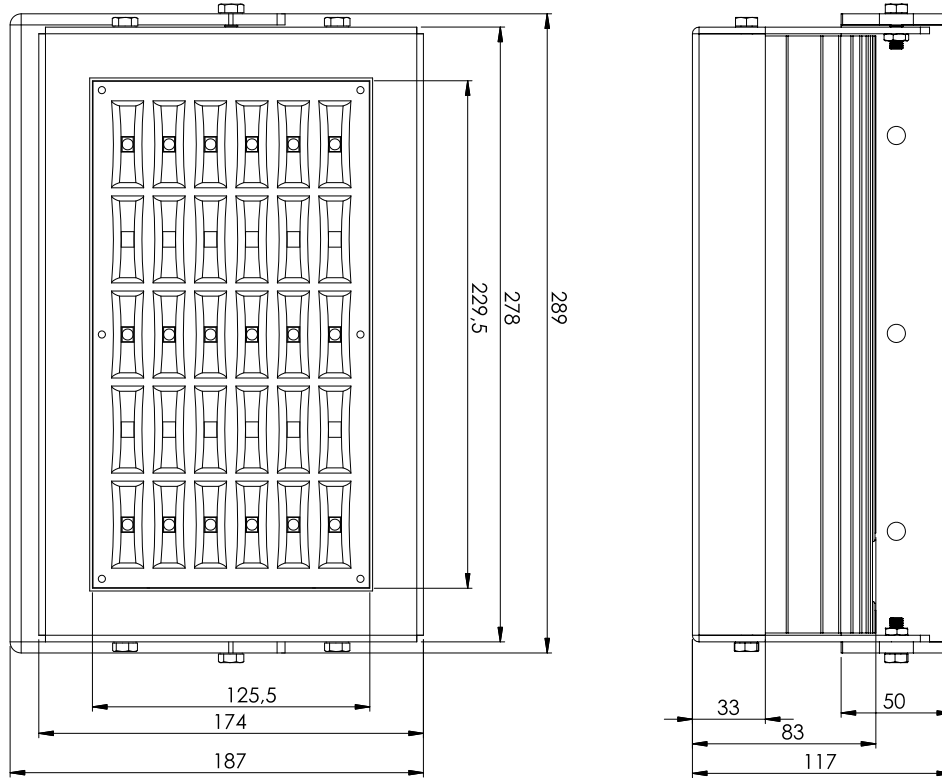
OPTICAL CHARACTERISTICS

Led Quantity	18 Leds
Luminous Output	120lm/Led
CRI	CRI (min.) = 70 CRI (typ.) = 72
Color Temperature	4000K / 5000K / 5700K
Intensity regulation	0% – 100%
Maximum Luminous Flux	2000 lm

MECHANICAL CHARACTERISTICS

Dimensions (mm)	Page 4
Protection Level	IP66
Housing Material	Aluminum / Stainless Steel

DIMENSIONS



POLAR CURVE