

PRODUCT IDENTIFICATION

Product	IL-LFL-RGB
Functional characteristics	RGB Led Flood Light Ideal for decorative, architectural, commercial and entertainment lighting.

CHARACTERISTICS

Advantages	<p>Unique design from SERNIS to maximize energy efficiency and lifetime.</p> <p>High energy efficiency.</p> <p>Temperature control.</p> <p>Compatibility with DMX512/RDM.</p> <p>Leds Cree</p> <p>High density light.</p> <p>Color consistency.</p> <p>Reduction of brightness.</p> <p>Sink made from aluminum for maximum performance as a heatsink.</p>
Operation modes	<p>Pre-Programmable.</p> <p>Automatic (DMX).</p>

ELECTRICAL CHARACTERISTICS

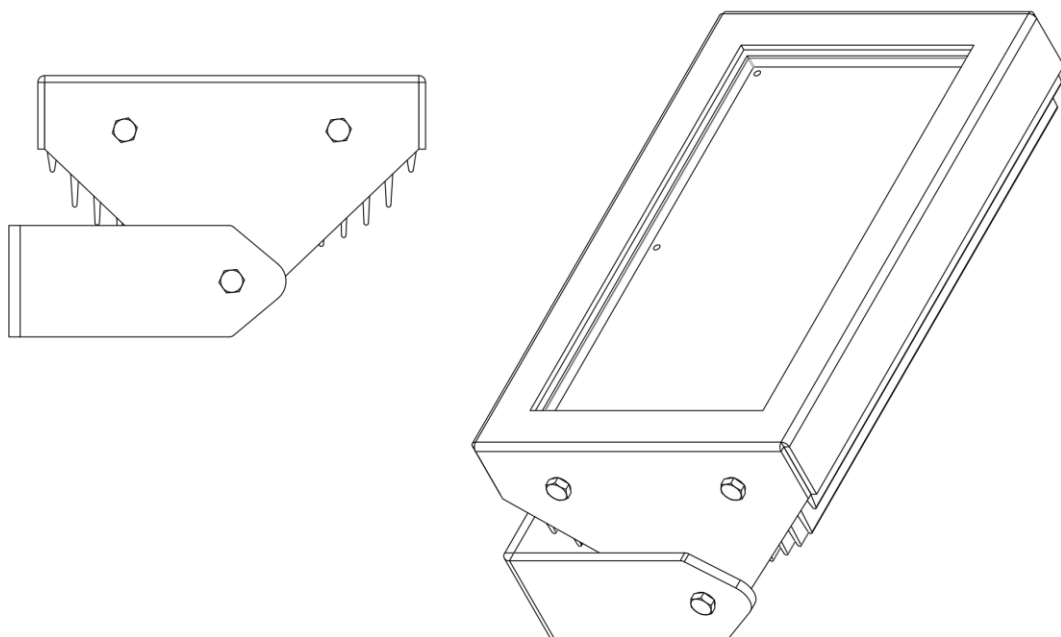
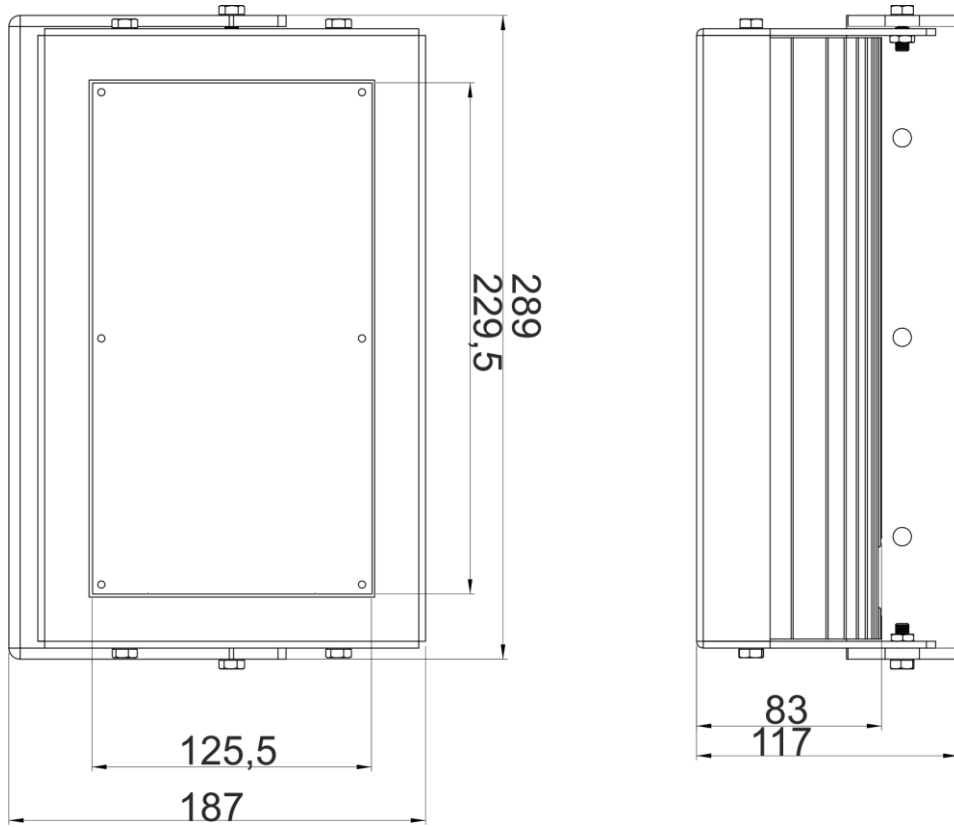
Electrical power supply	Input voltage: 88 ~ 264 Vac Frequency: 47 ~ 63 Hz Power factor correction (0.95) Output voltage: 48Vdc Maximum output current: 5A Power: 240W
Led Driver	Input voltage: 11.5 - 48Vdc Maximum input current: 5A Output voltage: 12.5 - 43.5Vdc Output current per channel: 350 - 1100mA (increases 50mA) Maximum power per channel: 46.2W
Consumption (Stand By)	~0.115A – 26.5W
Consumption (Running)	All colors ~0.569A – 131W Red Led's ~0.189A – 43.5W Green Led's ~0.229A – 52.7W Blue Led's ~0.231A – 53.2W White Led's ~0.226 – 52W White (RGB) ~0.445A – 102.5W

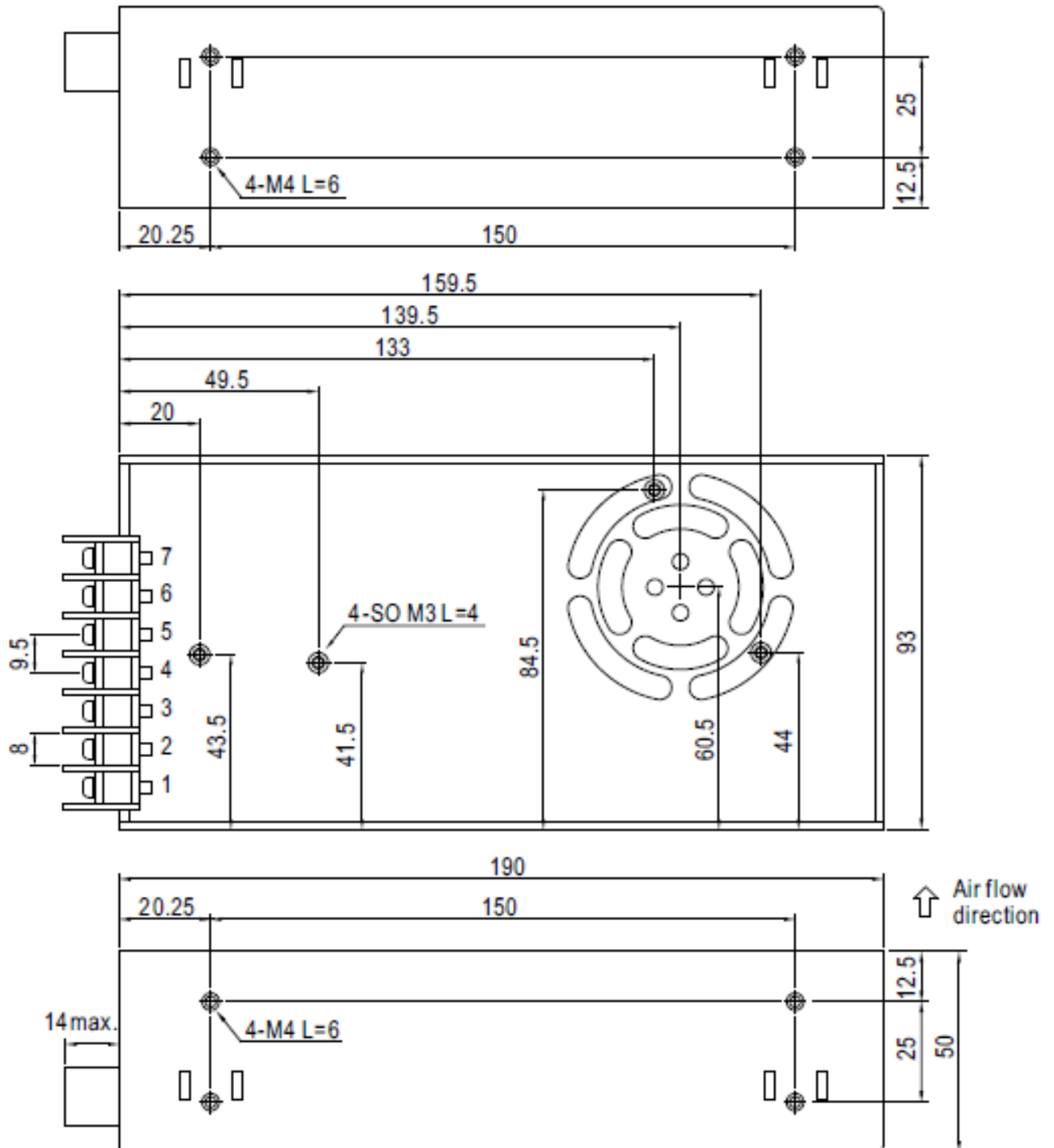
LIGHT CHARACTERISTICS

Number of Leds	24 Leds			
Minimum luminous flux (Lm) @350mA	Red	Green	Blue	White
	30.6	67.2	8.2	80
Forward Voltage (V) @350mA	2.2	3.4	3.2	3.2
Viewing angle	115°			
Thermal resistance	3 °C/W			
Control light intensity	0% a 100%			

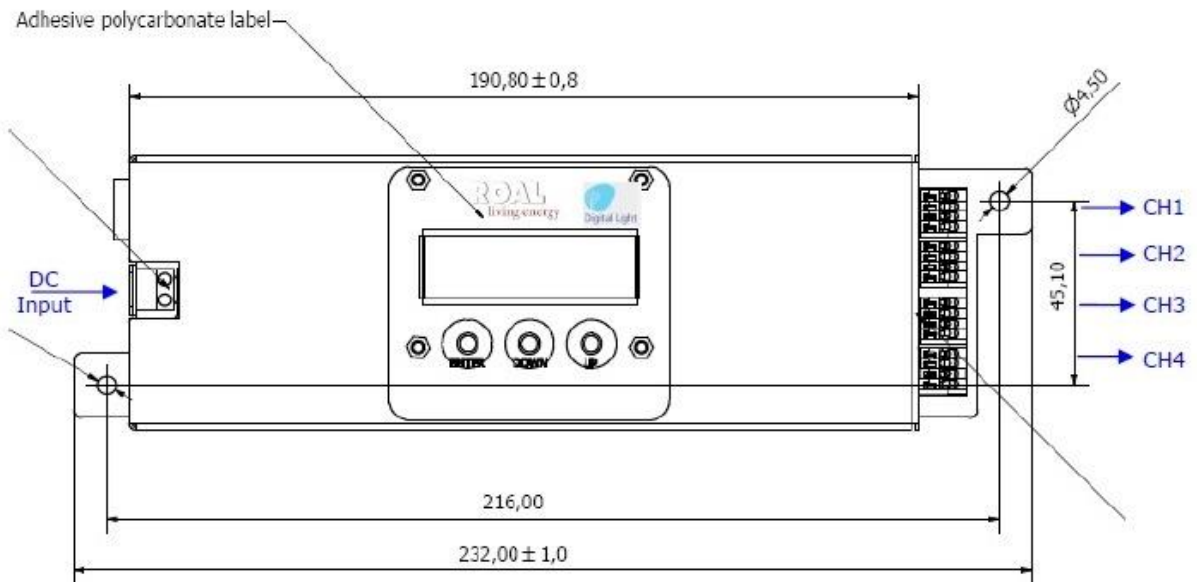
MECHANICAL CHARACTERISTICS

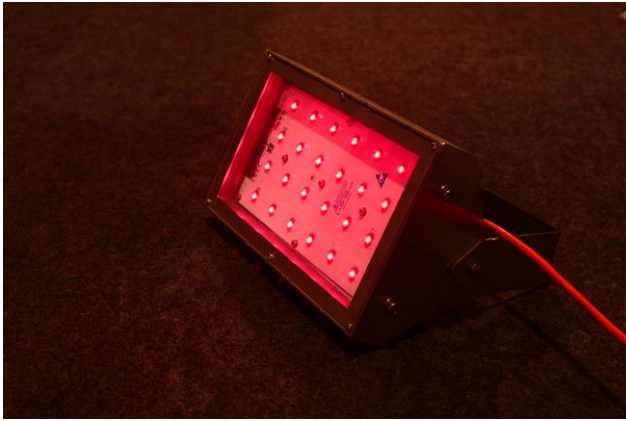
Heatsink	Dimensions: 117x187x289 Material: Aluminum Weight: 4900g
----------	--

Heatsink and Structure:

Power Supply:


Led Driver:



RGB projector: different colors**Red color****Orange color****Green color****Cyan color****Blue color****Violet color**