

**IL-FL30W**



**30W**  
**LED FLOOD LIGHT**  
**ELECTRICAL/SOLAR VERSION**

### PRODUCT IDENTIFICATION

<b>Product</b>	IL-LFL30W
<b>Functional characteristics</b>	30 Watts Led Flood Light

### CHARACTERISTICS

<b>Advantages</b>	<p>Sernis exclusive design to get maximum energy efficiency and life time;</p> <p>Low cost for installation and maintenance;</p> <p>IP66 housing;</p> <p>High performance OSRAM (Oslon Square) 1W leds;</p> <p>Solar or electrical applications;</p> <p>Smart controller to manage solar power supply system increasing the led light and battery performance (optional):</p> <ul style="list-style-type: none"><li>- Mode 1: intelligent system as a function of accumulated charge during the day.</li><li>- Mode 2: works at maximum brightness for number of hours set by the user and the remaining hours of operation with reduced brightness set by the user.</li><li>- Mode 3: works at maximum brightness for the number of hours defined by the user.</li></ul> <p>Light dimming (optional);</p> <p>Radio frequency communication (optional);</p> <p>Constant current source power supply for extended life time;</p> <p>Led's operating life time until 100000 hours;</p> <p>Over voltage, over current, over temperature and short circuit protection;</p> <p>High optical performance with dedicated optical device to get maximum output intensity;</p> <p>Aluminum housing to get best performance as heat sink;</p>
-------------------	---

### SOLAR CHARACTERISTICS

<b>Solar Power Supply</b>	12V DC Battery Solar Panel Charge Regulator
<b>Total Power Consumption</b>	42W

### ELECTRICAL CHARACTERISTICS

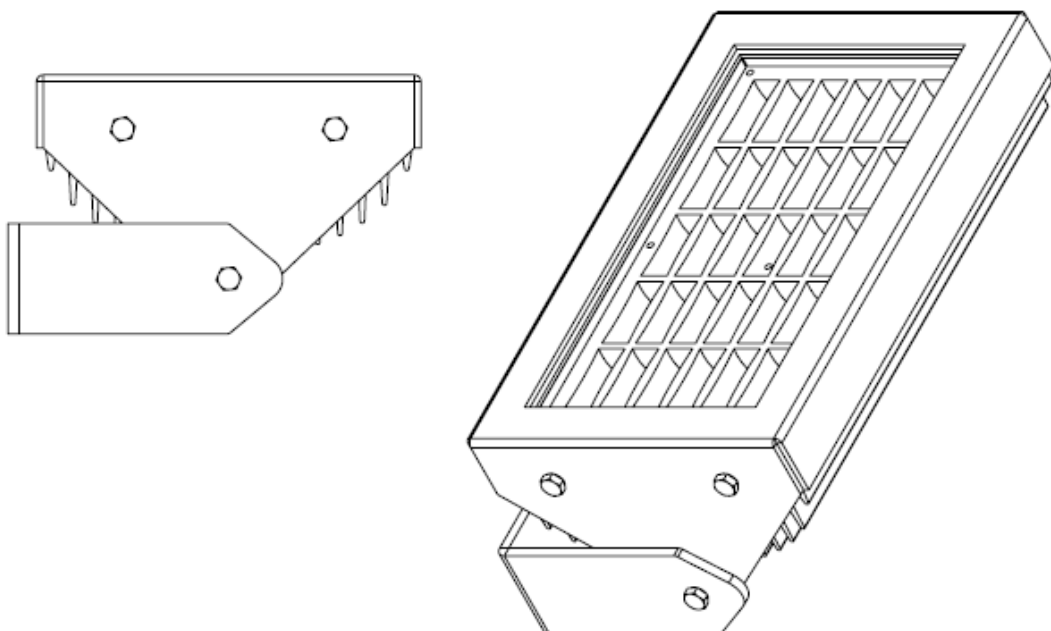
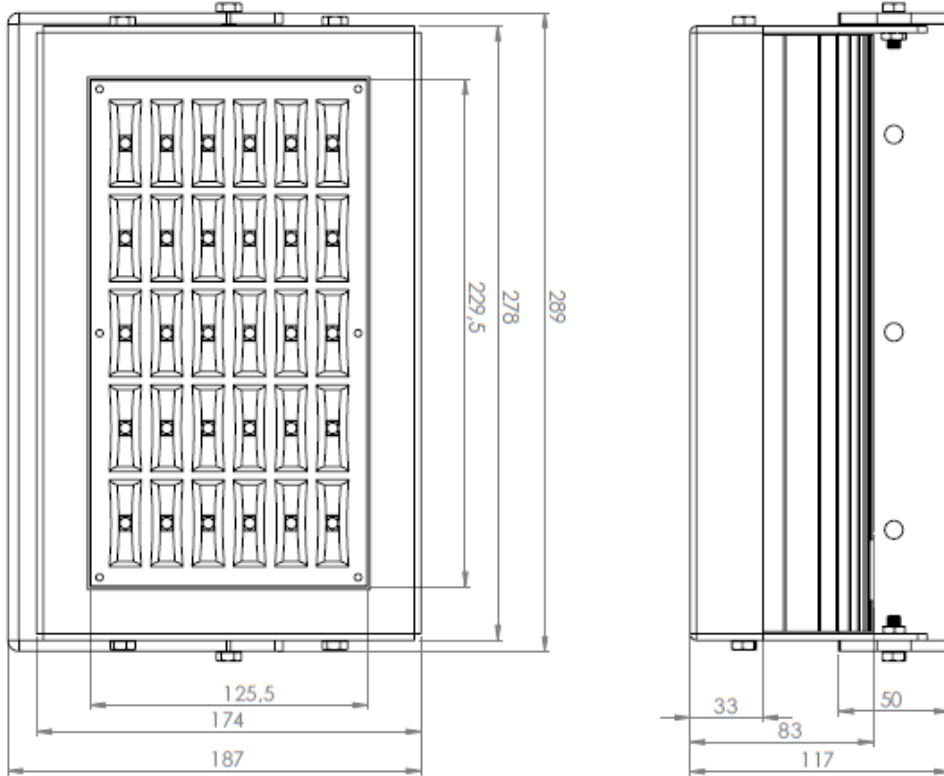
<b>Electrical Power Supply</b>	90 – 305 V 47 – 63 Hz High efficiency (up to 90%) Active power factor correction (typical 0.96) Constant output current Waterproof (IP67) Dimming control All-round protection: OVP, SCP, OLP Compliance with safety standards: EN61347-1, EN61347-2-13, UL8750 Compliance with emission standards: EN55015, EN61000-3-2 C Class ( 60% load) ; EN61000-3-3 Compliance with standards for immunity: EN61000-4-2,3,4,5,6,8,11; EN61547, EN55024
<b>Total power consumption</b>	41W

### OPTICAL CHARACTERISTICS

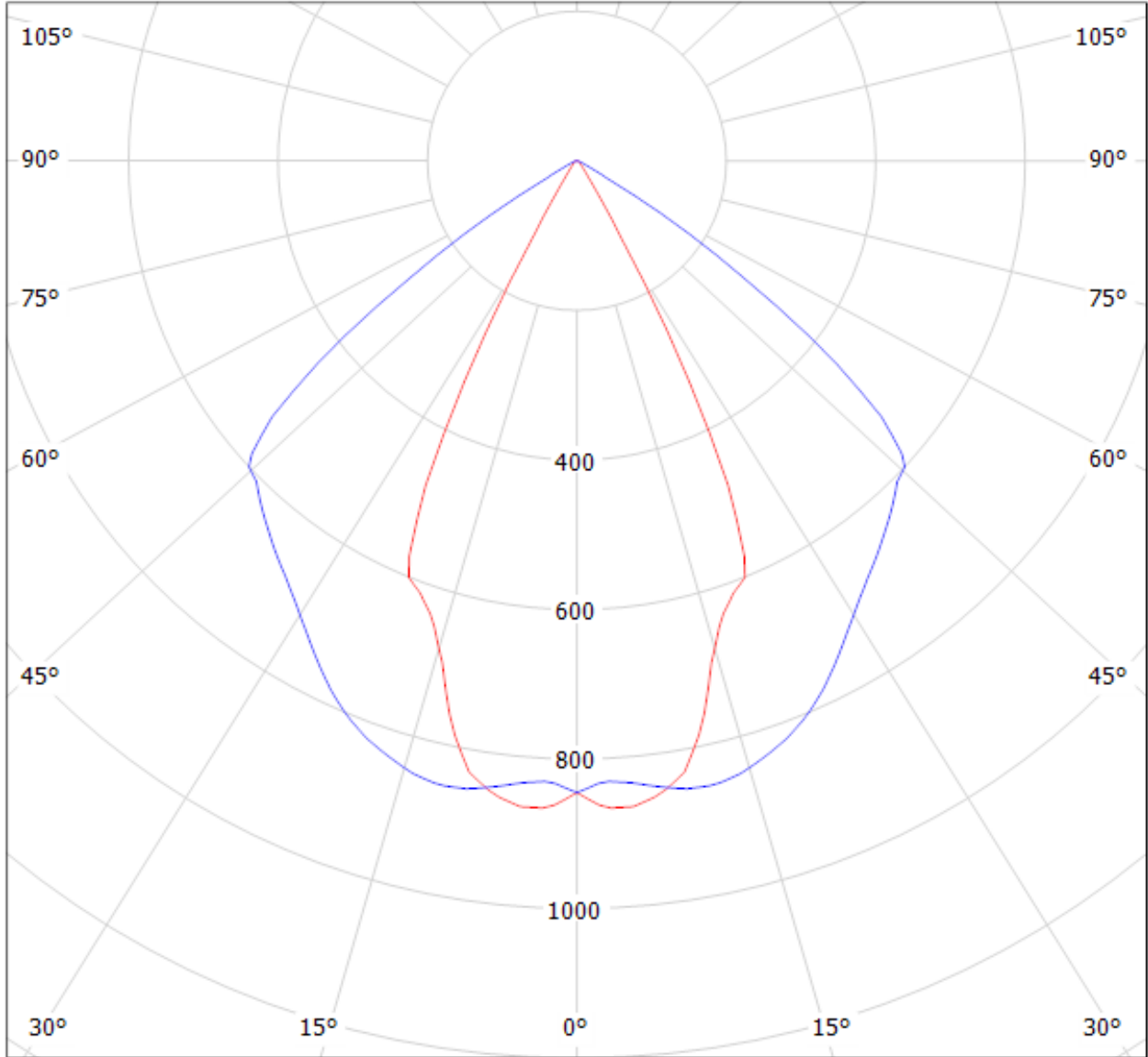
<b>Led Quantity</b>	30 Leds
<b>Luminous Output</b>	120lm/Led
<b>CRI</b>	CRI (min.) = 70 CRI (typ.) = 72
<b>Color Temperature</b>	4000K / 5000K / 5700K
<b>Intensity regulation</b>	0% – 100%
<b>Maximum Luminous Flux</b>	3335 lm

### MECHANICAL CHARACTERISTICS

<b>Dimensions (mm)</b>	Page 4
<b>Protection Level</b>	IP66
<b>Housing Material</b>	Aluminum / Stainless Steel

**DIMENSIONS**

**POLAR CURVE**



cd/klm  
— C0 - C180    — C90 - C270